

GKS 713

Rotating Test Probe with Continuous Plunger

Grid:

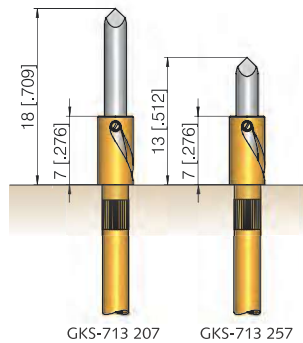
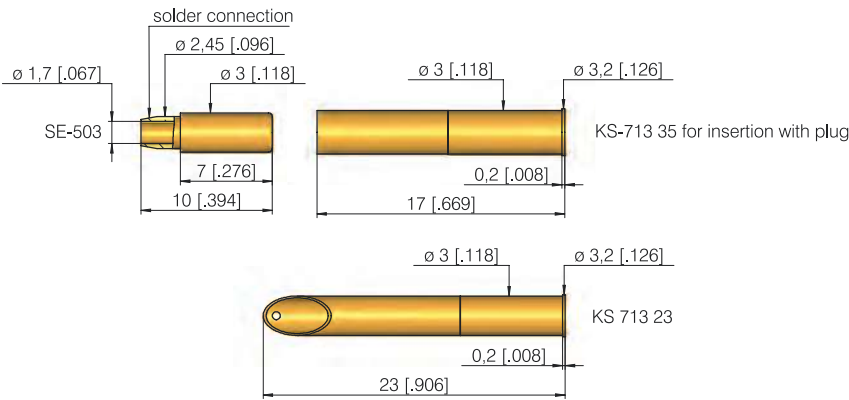
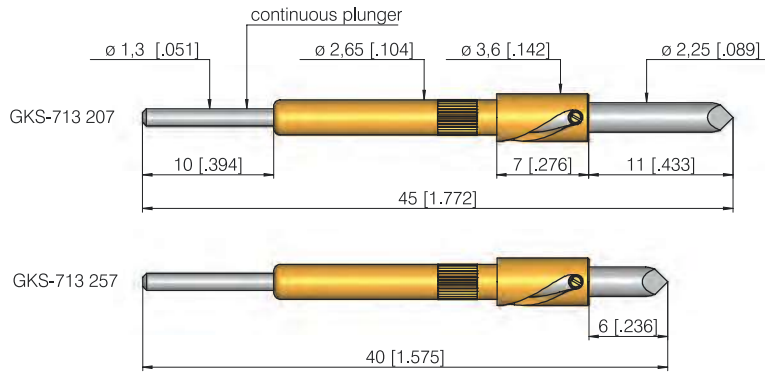
≥ 4,50 mm

≥ 177 Mil

Installation height with KS: 13,2 resp. 18,2 mm (.520 / .717)

Recommended stroke: 4,0 mm (.157)

Mounting and functional dimensions



Collar height and installation height

GKS	Install. height with KS
713 206/207	18,2 mm (.717)
713 256/257	13,2 mm (.520)

Mechanical data

Working stroke: 4,0 mm (.157)
Maximum stroke: 5,0 mm (.197)
Spring force at work. stroke: 1,5 N (5.4oz)
Alternative: 3,0 N (10.8oz); 5,0 N (18.1oz)

Electrical data

Current rating, connection to KS: 5 - 8 A
Current rating, conn. to plunger: 8 A
R_i typical, connection to KS: < 30 mΩ
R_i typical, connection to plunger: < 10 mΩ

Operating temperature

Standard: -40° up to +80° C

Materials

Plunger: Steel, rhodium-plated
Barrel: Brass, gold-plated
Spring: Steel, gold-plated
Receptacle: Brass, gold-plated

Mounting hole size

with receptacle: ∅ 2,98 - 2,99 mm (.1173 - .1177)
without receptacle: ∅ 2,66 mm (.1047)

Available tip styles

Material	Tip style	Plating	Further versions	
			∅	∅ (inch)
2 06		R	4,00	R
2 07		R		
2 56*		R		
2 57*		R		

* 5 mm (.197) shorter

Note:

The knurl on the rotating test probe guarantees a secure fit in the receptacle or probe plate.

Ordering example

Series	Tip material 2 = Steel	Tip style	Tip diameter (1/100 mm)	Plating R = Rhodium	Spring force (dN)	Collar height (mm)
--------	---------------------------	-----------	----------------------------	------------------------	----------------------	-----------------------

Test probe:

G K S 7 1 3 2 0 6 2 2 5 R 1 5 0 7

Receptacle:

K S - 7 1 3 2 3 K S - 7 1 3 3 5

Lamellar plug:

(for plugging onto the end of the plunger)

S E - 5 0 3