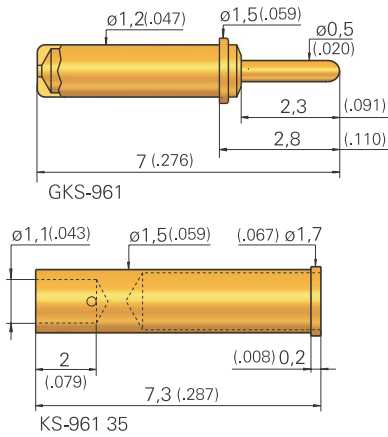


Grid:
 ≥ 1,91 mm
 ≥ 75 Mil

Installation height with KS: 3,0 mm (.118)
Recommended stroke: 1,0 mm (.039)

Mounting and functional dimensions



Available tip styles				
Material	Tip style	Plating	Further versions	
			∅	∅ (inch)
3	05	A	∅ 0,50 (.020)	

Mechanical data

Working stroke: 1,0 mm (.039)
Maximum stroke: 1,3 mm (.051)
Spring force at work. stroke: 0,6 N (2.2oz)

Materials

Plunger: BeCu, gold-plated
Barrel: Brass, gold-plated
Spring: Stainless steel, gold-plated
Receptacle: Brass, gold-plated

Electrical data

Current rating: 2 A
R_i typical: < 100 mΩ

Mounting hole size

in CEM1 and FR4 with receptacle: ∅ 1,49 - 1,50 mm (.0587 - .0591)
without receptacle: ∅ 1,2 mm (.0472)

Operating temperature

Standard: -100° up to +200° C

Ordering example

Series	Tip material 2 = Steel 3 = BeCu	Tip style	Tip diameter (1/100 mm)	Plating A = Gold	Spring force (dN)	Collar height (mm)
GKS	3	05	050	A	06	01
KS - 961 35						

Test probe:

Receptacles: