

# HSS 520/HSS 520 M

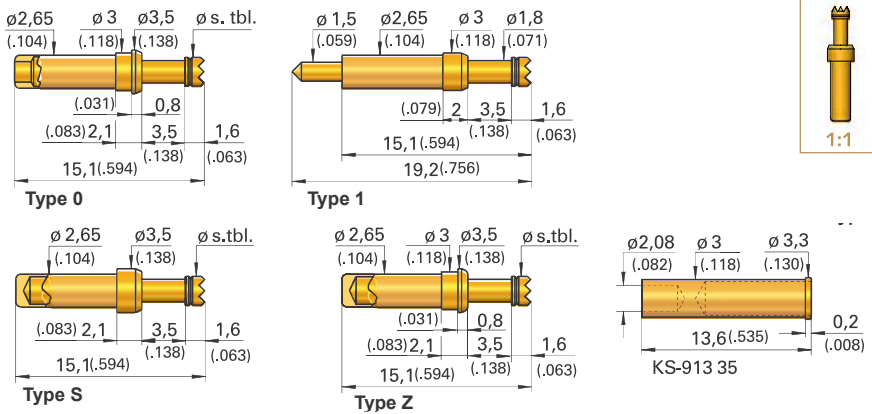
High Current Probe up to 30 A  
Short-stroke Test Probes to Plug in and Screw in

**Grid:**  
≥ 4,0 mm  
≥ 160 Mil

**Installation height with KS:** 7,4 mm (.291)  
**Recommended stroke:** 2,8 mm (.110)

## Mounting and functional dimensions

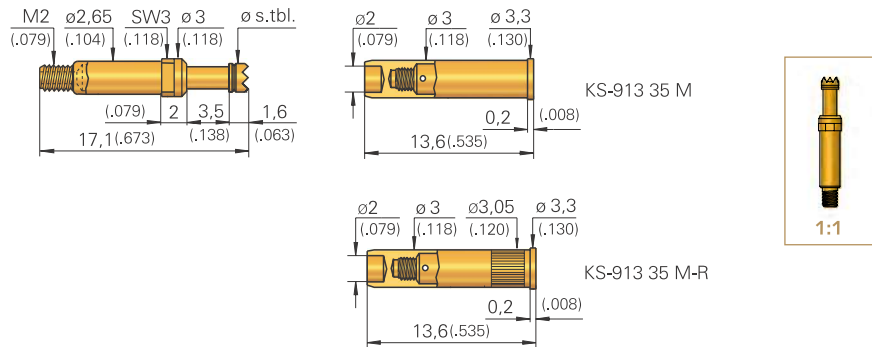
### HSS-520



## Available tip styles

Material	Tip style	Plating	Further versions	
			∅	∅ (inch)
3	06	A	3,50	(.138)

### HSS-520 ... M



### Compatible GKS

GKS-913 (plug-in version)  
GKS 913 M (screw-in version)

### Materials

**Plunger:** BeCu, gold-plated  
**Barrel:** Brass, gold-plated  
**Spring:** Stainless steel, gold-plated  
**Receptacle:** Brass, gold-plated

### Operating temperature

**Standard:** -100° up to +200° C

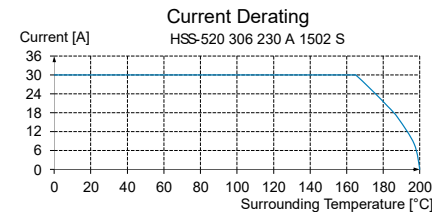
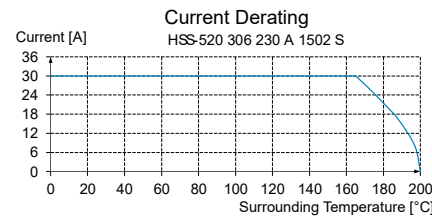
### Mounting hole size

for KS-913 35 and KS-913 35 M  
in CEM1 and FR4: ∅ 2,98 - 2,99 mm  
(.1173 - .1177)

for KS-913 35 M-R  
in CEM1 and FR4: ∅ 3,00 - 3,02 mm  
(.1181 - .1189)

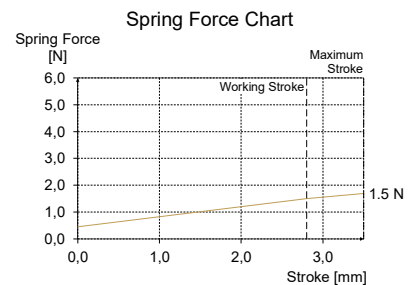
### Electrical data

**Current rating (at room temp.):** max. 30 A  
**R<sub>i</sub> typical:** < 20 mΩ



### Mechanical data

**Working stroke:** 2,8 mm (.110)  
**Maximum stroke:** 3,5 mm (.138)  
**Spring force at work. stroke:** 1,5 N (5.4oz)



## Ordering example

Series Tip material Tip style Tip diameter (1/100 mm) Plating Spring force (dN) Collar height (mm) Type

Test probe:

H S S 5 2 0 3 0 6 2 3 0 A 1 5 0 2 M

Receptacles:

K S - 9 1 3 3 5 K S - 9 1 3 3 5 M K S - 9 1 3 3 5 M - R