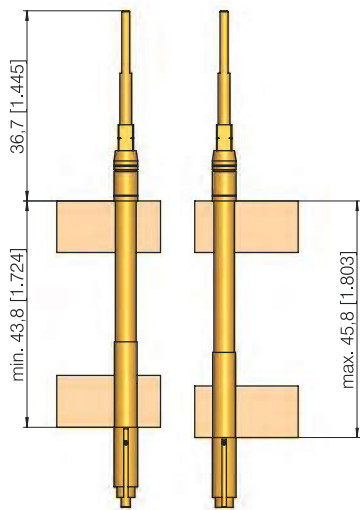
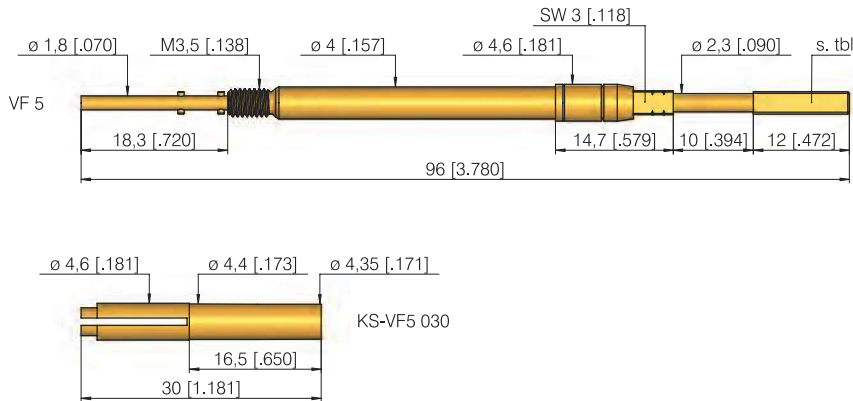


Grid:
 ≥ 5,08 mm
 ≥ 200 Mil

Installation height with KS: 36,7 mm (1.445)
Recommended stroke: 5,0 / 9,5 mm (.197 / .374)

Mounting and functional dimensions



The VF 5 is mounted in the KS-VF5 030 which is pressed into a second plate to fix the receptacle securely and prevent rotation. The distance between the plates is 44.8 mm +/- 1 mm.

Available tip styles

Material	Tip style	Plating	Further versions	
			∅	∅ (inch)
3 20		A		
3 20*		A		
3 20		A		
3 20		A		

Note:

* Maximum stroke of VF5-320 150 A 096 with 15 N and 20 N = 10,0 mm (.394)

Note:

The flat surface on the plunger tip is aligned with the flat surface on the rear of the plunger.

Note:

To identify the spring force, the flat areas for the spanner are marked with notches:

- 1 notch 15 N (54oz)
- 2 notches 20 N (72oz)
- 3 notches 34 N (122oz)

Note:

The test probes are screwed in with specialised tools, shown on page 196.

Recommended screw-in torque:
 Min.: 10 cNm / Max.: 20 cNm

Mechanical data

Spring force at work. stroke	Pre-load	Working stroke in mm (inch)	Maximum stroke in mm (inch)
15 N (54oz)	2,7 N (10oz)	9,5 (.374)	10* (.394)/12 (.472)
20 N (72oz)	3,6 N (13oz)	9,5 (.374)	10* (.394)/12 (.472)
34 N (122oz)	10,0 N (36oz)	5,0 (.197)	6,5 (.256)

Materials

Barrel: Brass, gold-plated
Plunger: BeCu, gold-plated
Spring: Steel, gold-plated
Receptacle: Brass, gold-plated

Mounting hole size

for VF5 in CEM1 and FR4: ∅ 4,0 mm (.1575)
for KS-VF5 030 in CEM1 and FR4: ∅ 4,4 mm (.1732)

Operating temperature

Standard: -40° up to +80° C

Electrical data

Current rating: 10 A
R_j typical: < 30 mΩ

Ordering example

Series	Tip material	Tip style	Spade width (1/100 mm)	Plating	Total length (dN)	Spring force (N)
	3 = BeCu			A = Gold		

Test probe:

VF 5 3 2 0 1 5 0 A 0 9 6 2 0

Receptacle:

KS - VF 5 0 3 0